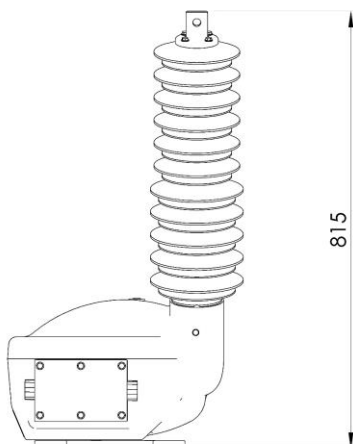
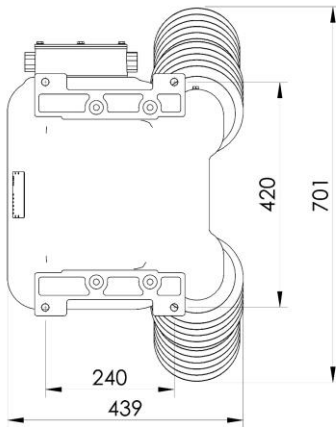


# VE9

## MEDIUM VOLTAGE OUTDOOR VOLTAGE TRANSFORMER



### DIMENSIONS



Dimensions in mm

Information given for illustrative purposes. For any other feature or need, contact us.



### GENERAL FEATURES

Two HV poles voltage transformer, dry insulated and completely earthed for outdoor application.

- ✓ **Standard** : IEC 61869-3 | CSA C61869-3 | IEEE C57-13
- ✓ **Creepage** : 1660mm
- ✓ **Flashover** : 540 mm
- ✓ **Ambient temperature** : up to -50/+50°C



### ELECTRICAL FEATURES

- ✓ **Insulation level** : up to 52/95/250kV
- ✓ **Frequency** : 50Hz | 60Hz
- ✓ **Primary voltage (Un)** : up to 46000V
- ✓ **Voltage factor** : 1.1 or 1.2 Un perm.
- ✓ **Accuracy class (IEC)** : 0.2 | 0.5 | 1 | 3 | 3P | 6P
- ✓ **Accuracy class (CSA)** : 0.3 | 0.6 | 1.2 | 3P | 6P
- ✓ **Accuracy class (IEEE)** : 0.3 | 0.6 | 1.2
- ✓ **Accuracy burden (IEC)** : up to 20VACL0.2-150VACL0.5-400VACL1
- ✓ **Accuracy burden (CSA/IEEE)** : up to 0.3WXY-0.6WXYZ
- ✓ **Thermal burden** : up to 1000VA



### MECHANICAL FEATURES

- ✓ **Approximate weight** : 94kg
- ✓ **Cable outlet** : PG21 nickel plated brass for  $\varnothing$  13 to 19mm
- ✓ **Primary connection** : Aluminium 1 hole  $\varnothing$  15mm



### OPTIONS

- ✓ **Cable outlet** : 1" NPT adaptor
- ✓ **Primary connection** : NEMA pad or other connections on request