

VE7

MEDIUM VOLTAGE OUTDOOR VOLTAGE TRANSFORMER



GENERAL FEATURES

Two HV poles voltage transformer, dry insulated and completely earthed for outdoor application.

- ✓ **Standard** : IEC 61869-3 | CSA C61869-3 | IEEE C57-13
- ✓ **Creepage** : 1660 mm | 1330 mm | 900 mm according to insulation level
- ✓ **Flashover** : 540 mm | 450 mm | 340 mm according to insulation level
- ✓ **Ambient temperature** : up to -50/+50°C

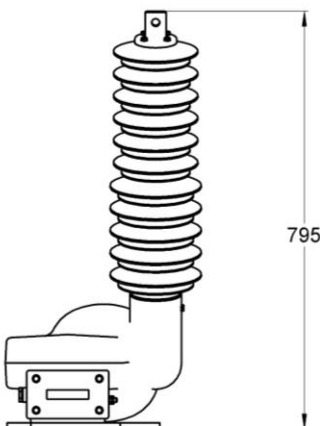
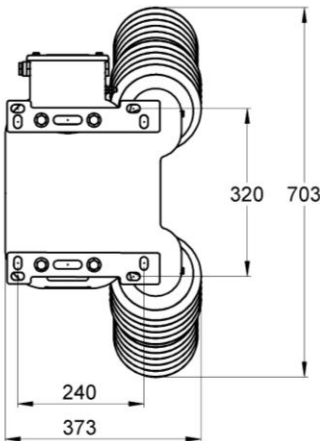


ELECTRICAL FEATURES

- ✓ **Insulation level** : up to 36/70/200kV
- ✓ **Frequency** : 50Hz | 60Hz
- ✓ **Primary voltage (Un)** : up to 34500V
- ✓ **Voltage factor** : 1.1 or 1.2Un perm.
- ✓ **Accuracy class (IEC)** : 0.2 | 0.5 | 1 | 3 | 3P | 6P
- ✓ **Accuracy class (CSA)** : 0.3 | 0.6 | 1.2 | 3P | 6P
- ✓ **Accuracy class (IEEE)** : 0.3 | 0.6 | 1.2
- ✓ **Accuracy burden (IEC)** : up to 30VACL0.2-200VACL0.5-500VACL1
- ✓ **Accuracy burden (CSA/IEEE)** : up to 0.3WXY-0.6WXYZ
- ✓ **Thermal burden** : up to 1000VA



DIMENSIONS



Dimensions in mm

Information given for illustrative purposes. For any other feature or need, contact us.



MECHANICAL FEATURES

- ✓ **Approximate weight** : 63kg
- ✓ **Cable outlet** : PG16 for \varnothing 10 to 15mm
- ✓ **Primary connection** : Aluminium 1 hole \varnothing 15mm



OPTIONS

- ✓ **Cable outlet** : 1" NPT adaptor
- ✓ **Primary connection** : NEMA pad or other connections on request
- ✓ **Discharge reactor for capacitor bank (VE7S)**