

TE90

LOW VOLTAGE OUTDOOR CURRENT TRANSFORMER



GENERAL FEATURES

Low voltage dry type current transformer for wires or bars passage, often used for earth fault currents detection on power transformers.

- ✓ **Standard** : IEC 61869-2 | CSA C61869-2 | IEEE C57-13
- ✓ **Available diameters ($\varnothing d$)** : 38mm | 55mm | 60mm | 78mm
- ✓ **Ambient temperature** : up to -25/+40°C

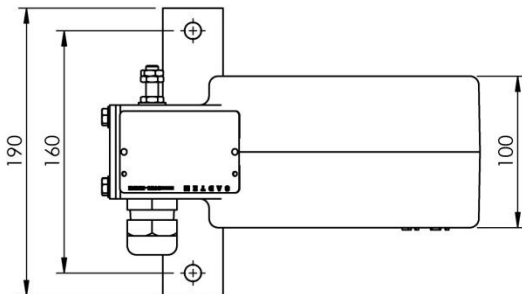
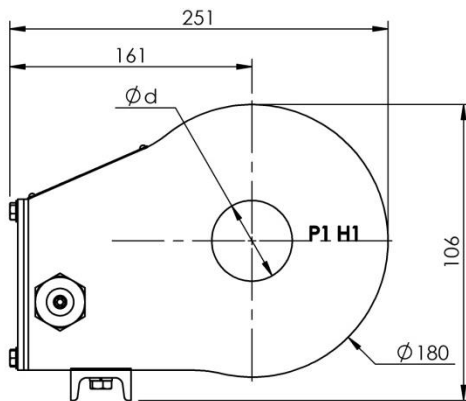


ELECTRICAL FEATURES

- ✓ **Insulation level** : up to 1.2/6kV
- ✓ **Frequency** : 50Hz | 60Hz
- ✓ **Primary current (I_n)** : up to 2000A
- ✓ **Rated short-time thermal current (I_{th})** : up to 200* I_n 1s
- ✓ **Rated dynamic current (I_{dyn})** : up to 2.5 * I_{th}
- ✓ **Number of cores** : 1
- ✓ **Double ratio** : by secondary tap
- ✓ **Accuracy class (IEC)** : 0.1 | 0.2 | 0.2S | 0.5 | 0.5S | 1 | 3 | 5 | 5P | 10P | PX
- ✓ **Accuracy class (CSA)** : 0.15 | 0.15S | 0.3 | 0.6 | 1.2 | 2.5L .. | 10L..
- ✓ **Accuracy class (IEEE)** : 0.15 | 0.3 | 0.6 | 1.2 | C..



DIMENSIONS



MECHANICAL FEATURES

- ✓ **Approximate weight** : 10kg
- ✓ **Cable outlet** : PG 21 polyamide cable gland for \varnothing 10 to 18mm
- ✓ **External ground connection terminal**



OPTIONS

- ✓ **Cable outlet** : 1" NPT adaptor or PG21 nickel-plated brass cable gland for \varnothing 13 to 19mm cables
- ✓ **Indoor design without terminal box (TE90/A)**

Dimensions in mm

Information given for illustrative purposes. For any other feature or need, contact us.

SADTEM

INSTRUMENT TRANSFORMERS
671, Rue Maurice Caullery - ZI Douai Dorignies - 59506 DOUAI cedex - France
Phone : (33) 03 59 61 15 60 www.sadtem.com contact@sadtem.com