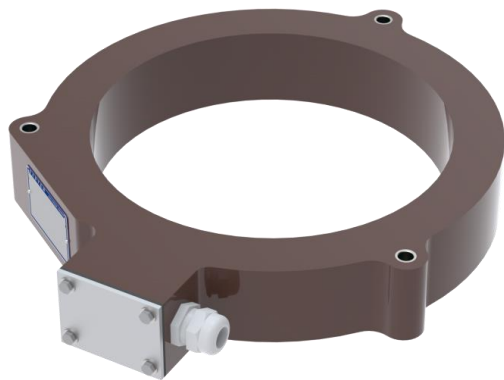
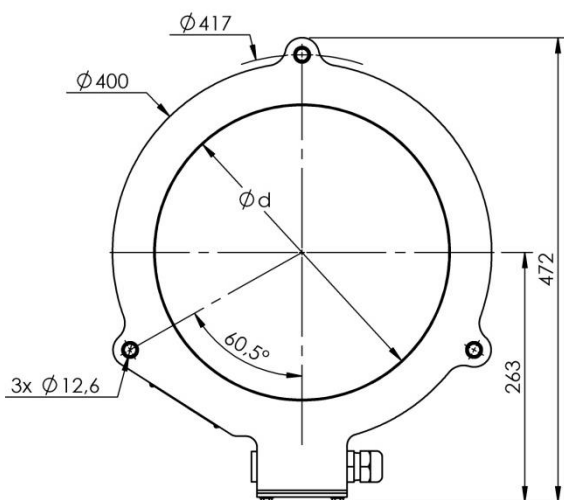
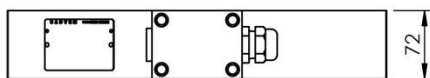


TE3

LOW VOLTAGE OUTDOOR CURRENT TRANSFORMER



DIMENSIONS



Dimensions in mm

Information given for illustrative purposes. For any other feature or need, contact us.



GENERAL FEATURES

Low voltage dry type current transformer for wires or bars passage. Its design makes it particularly adapted for the assembly around the bushing of power transformers.

- ✓ **Standard** : IEC 61869-2 | CSA C61869-2 | IEEE C57-13
- ✓ **Available diameters ($\varnothing d$)** : 220mm | 260mm | 270mm | 280mm | 300mm | 310mm
- ✓ **Ambient temperature** : up to -25/+40°C



ELECTRICAL FEATURES

- ✓ **Insulation level** : up to 1.2/6kV
- ✓ **Frequency** : 50Hz | 60Hz
- ✓ **Primary current (I_n)** : up to 7000A
- ✓ **Rated short-time thermal current (I_{th})** : up to 200* I_n 1s
- ✓ **Rated dynamic current (I_{dyn})** : up to 2.5 * I_{th}
- ✓ **Number of cores** : 1 to 2
- ✓ **Double ratio** : by secondary tap
- ✓ **Accuracy class (IEC)** : 0.1 | 0.2 | 0.2S | 0.5 | 0.5S | 1 | 3 | 5 | 5P | 10P | 5PR | 10PR | PX
- ✓ **Accuracy class (CSA)** : 0.15 | 0.15S | 0.3 | 0.6 | 1.2 | 2.5L .. | 10L..
- ✓ **Accuracy class (IEEE)** : 0.15 | 0.3 | 0.6 | 1.2 | C..



MECHANICAL FEATURES

- ✓ **Approximate weight** : from 19 to 25kg
- ✓ **Cable outlet** : PG 21 polyamide cable gland for \varnothing 10 to 18mm



OPTIONS

- ✓ **Cable outlet** : 1" NPT adaptor or PG21 nickel-plated brass cable gland for \varnothing 13 to 19mm cables
- ✓ **Mounting square brackets**