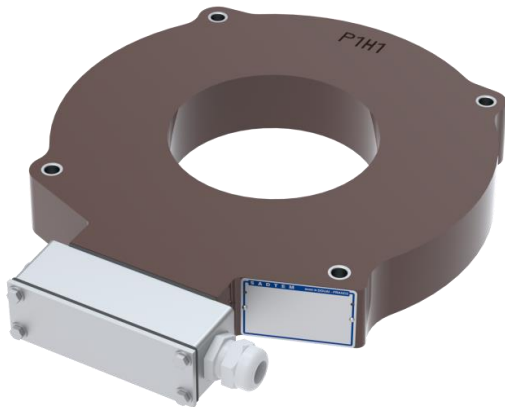
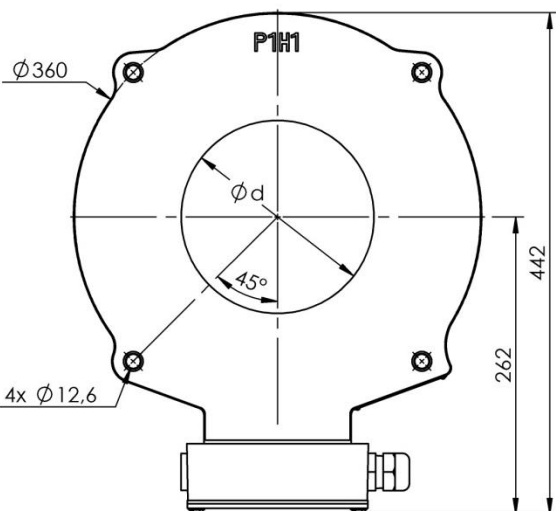


# TE2

## LOW VOLTAGE OUTDOOR CURRENT TRANSFORMER



### DIMENSIONS



### GENERAL FEATURES

Low voltage dry type current transformer for wires or bars passage. Its design makes it particularly adapted for the assembly around the bushing of power transformers.

- ✓ **Standard** : IEC 61869-2 | CSA C61869-2 | IEEE C57-13
- ✓ **Available diameters (̕d)** : 170mm | 175mm | 240mm | 258mm | 270mm | 280mm
- ✓ **Ambient temperature** : up to -25/+40°C



### ELECTRICAL FEATURES

- ✓ **Insulation level** : up to 1.2/6kV
- ✓ **Frequency** : 50Hz | 60Hz
- ✓ **Primary current (In)** : up to 5000A
- ✓ **Rated short-time thermal current (Ith)** : up to 200\*In 1s
- ✓ **Rated dynamic current (Idyn)** : up to 2.5 \* Ith
- ✓ **Number of cores** : 1
- ✓ **Double ratio** : by secondary tap
- ✓ **Accuracy class (IEC)** : 0.1 | 0.2 | 0.2S | 0.5 | 0.5S | 1 | 3 | 5 | 5P | 10P | 5PR | 10PR | PX
- ✓ **Accuracy class (CSA)** : 0.15 | 0.15S | 0.3 | 0.6 | 1.2 | 2.5L .. | 10L..
- ✓ **Accuracy class (IEEE)** : 0.15 | 0.3 | 0.6 | 1.2 | C..



### MECHANICAL FEATURES

- ✓ **Approximate weight** : from 8 to 12kg
- ✓ **Cable outlet** : PG 21 polyamide cable gland for ̕ 10 to 18mm



### OPTIONS

- ✓ **Cable outlet** : 1" NPT adaptor or PG21 nickel-plated brass cable gland for ̕ 13 to 19mm cables
- ✓ **Mounting square brackets**
- ✓ **External ground connection terminal**

Dimensions in mm

Information given for illustrative purposes. For any other feature or need, contact us.

**SADTEM**

INSTRUMENT TRANSFORMERS  
671, Rue Maurice Caullery - ZI Douai Dorignies - 59506 DOUAI cedex - France  
Phone : (33) 03 59 61 15 60  [www.sadtem.com](http://www.sadtem.com)  [contact@sadtem.com](mailto:contact@sadtem.com)