

SW85R

MEDIUM VOLTAGE INDOOR CURRENT TRANSFORMER



GENERAL FEATURES

Indoor dry type current transformer.

- ✓ **Standards** : IEC 61869-2 | CSA C61869-2 | IEEE C57-13
- ✓ **Ambient temperature** : up to -25/+40°C

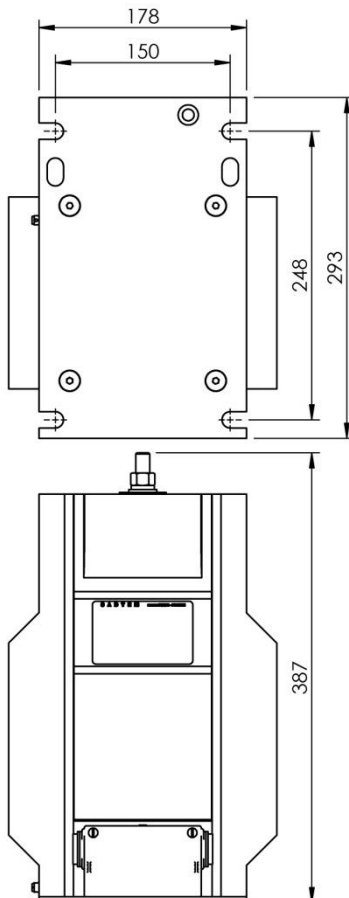


ELECTRICAL FEATURES

- ✓ **Insulation level** : up to 40.5/85/185kV
- ✓ **Frequency** : 50Hz | 60Hz
- ✓ **Primary current (In)** : up to 3000A
- ✓ **Rated short-time thermal current (Ith)** : up to 60kA 1s
- ✓ **Rated dynamic current (Idyn)** : up to 2.5 * Ith
- ✓ **Number of cores** : 1 to 3
- ✓ **Double ratio** : by secondary tap or by primary coupling
- ✓ **Accuracy class (IEC)** : 0.1 | 0.2 | 0.2S | 0.5 | 0.5S | 1 | 3 | 5 | 5P | 10P | 5PR | 10PR | PX
- ✓ **Accuracy class (CSA)** : 0.15 | 0.15S | 0.3 | 0.6 | 1.2 | 2.5L .. | 10L..
- ✓ **Accuracy class (IEEE)** : 0.15 | 0.3 | 0.6 | 1.2 | C..



DIMENSIONS



MECHANICAL FEATURES

- ✓ **Approximate weight** : 40kg
- ✓ **Cable outlet** : PG16
- ✓ **With sealable cover**



OPTIONS

- ✓ **Without cover**
- ✓ **Without primary studs**

Dimensions in mm

Information given for illustrative purposes. For any other feature or need, contact us.

SADTEM

INSTRUMENT TRANSFORMERS
671, Rue Maurice Caullery - ZI Douai Dorignies - 59506 DOUAI cedex - France
Phone : (33) 03 59 61 15 60  www.sadtem.com  contact@sadtem.com