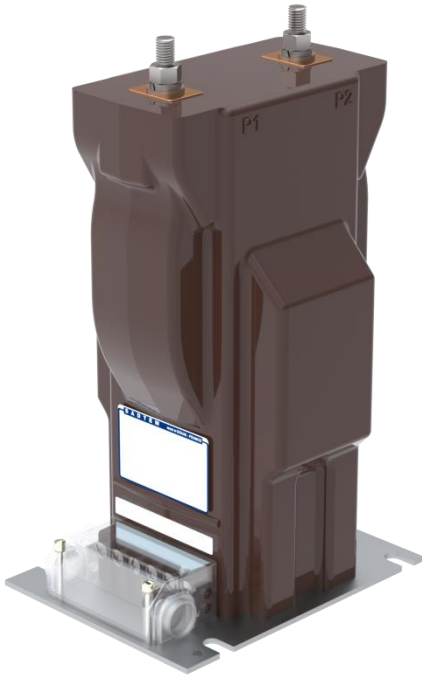
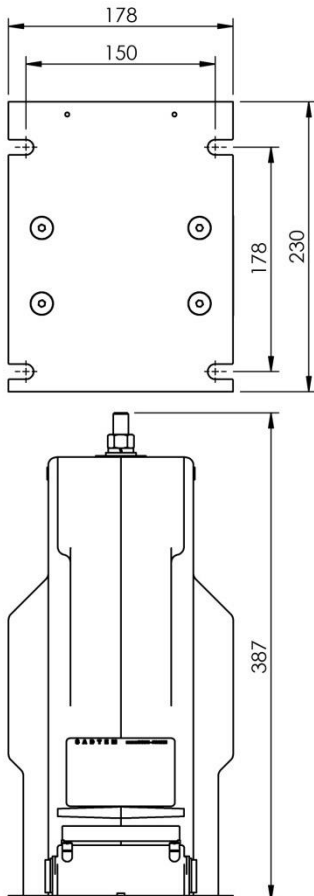


SW83R

MEDIUM VOLTAGE INDOOR CURRENT TRANSFORMER



DIMENSIONS



Dimensions in mm

Information given for illustrative purposes. For any other feature or need, contact us.



GENERAL FEATURES

Indoor compact dry type current transformer.

- ✓ **Standards** : IEC 61869-2 | CSA C61869-2 | IEEE C57-13
- ✓ **Ambient temperature** : up to -25/+40°C



ELECTRICAL FEATURES

- ✓ **Insulation level** : up to 36/70/170kV
- ✓ **Frequency** : 50Hz | 60Hz
- ✓ **Primary current (In)** : up to 400A
- ✓ **Rated short-time thermal current (Ith)** : up to 32kA 1s
- ✓ **Rated dynamic current (Idyn)** : up to 2.5 * Ith
- ✓ **Number of cores** : 1
- ✓ **Double ratio** : by secondary tap or by primary coupling
- ✓ **Accuracy class (IEC)** : 0.1 | 0.2 | 0.2S | 0.5 | 0.5S | 1 | 3 | 5 | 5P | 10P | PX
- ✓ **Accuracy class (CSA)** : 0.3 | 0.6 | 1.2 | 2.5L .. | 10L..
- ✓ **Accuracy class (IEEE)** : 0.3 | 0.6 | 1.2 | C..



MECHANICAL FEATURES

- ✓ **Approximate weight** : 17kg
- ✓ **Cable outlet** : PG16
- ✓ **With sealable cover**



OPTIONS

- ✓ **Short base without cover**
- ✓ **Without primary studs**