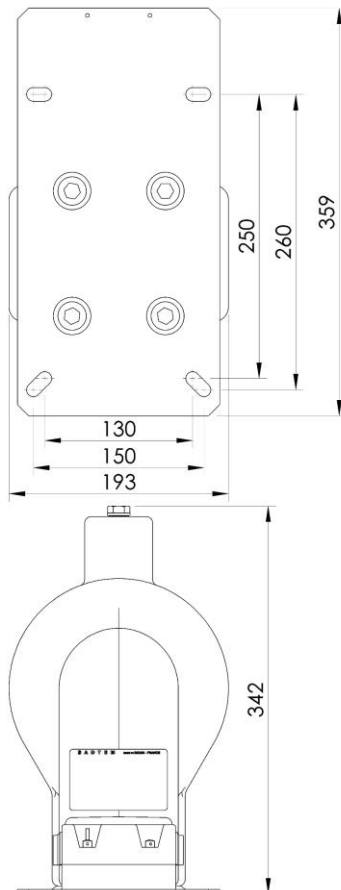


RY6A

MEDIUM VOLTAGE INDOOR VOLTAGE TRANSFORMER



DIMENSIONS



Dimensions in mm

Information given for illustrative purposes. For any other features or need, contact us.



GENERAL FEATURES

One HV pole voltage transformer and dry insulated for indoor application.

- ✓ **Standards** : IEC 61869-3 | CSA C61869-3 | IEEE C57-13
- ✓ **Ambient temperature** : up to -25/+40°C
- ✓ **CSA qualified**: authorization LR 109295



ELECTRICAL FEATURES

- ✓ **Insulation level** : up to 38.5/80/170kV
- ✓ **Frequency** : 50Hz | 60Hz
- ✓ **Primary voltage (Un)**: up to $36000/\sqrt{3}$ V
- ✓ **Voltage factor** : 1.5 or 1.9Un | 30s or 8H
- ✓ **Accuracy class (IEC)** : 0.1 | 0.2 | 0.5 | 1 | 3 | 3P | 6P
- ✓ **Accuracy class (CSA)** : 0.15 | 0.3 | 0.6 | 1.2 | 3P | 6P
- ✓ **Accuracy class (IEEE)** : 0.15 | 0.3 | 0.6 | 1.2
- ✓ **Accuracy burden (IEC)** : up to 40VACL0.2-150VACL0.5-300VACL1
- ✓ **Accuracy burden (CSA/IEEE)** : up to 0.15WX-0.3WXY
- ✓ **Residual winding** : on request
- ✓ **Thermal burden** : up to 600VA



MECHANICAL FEATURES

- ✓ **Approximate weight** : 30kg
- ✓ **Cable outlet** : PG16
- ✓ **With sealable cover**



OPTIONS

- ✓ **Short base without cover**
- ✓ **H.V. fuse with holder**