

RV7

MEDIUM VOLTAGE INDOOR VOLTAGE TRANSFORMER



GENERAL FEATURES

Two HV poles voltage transformer and dry insulated for indoor application.

- ✓ **Standards** : IEC 61869-3 | CSA C61869-3 | IEEE C57-13
- ✓ **Ambient temperature** : up to -25/+40°C

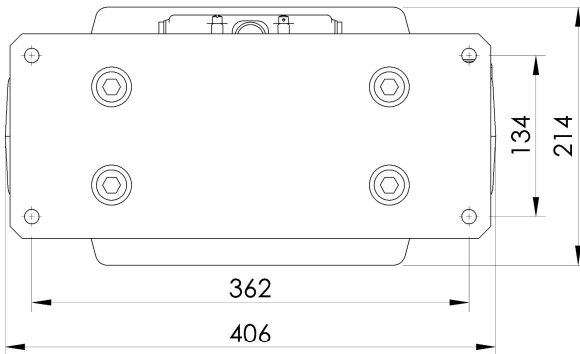


ELECTRICAL FEATURES

- ✓ **Insulation level** : up to 27.6/60/125kV
- ✓ **Frequency** : 50Hz | 60Hz
- ✓ **Primary voltage (Un)**: up to 25000V
- ✓ **Voltage factor** : up to 1.2Un Perm.
- ✓ **Accuracy class (IEC)** : 0.2 | 0.5 | 1 | 3 | 3P | 6P
- ✓ **Accuracy class (CSA)** : 0.15 | 0.3 | 0.6 | 1.2 | 3P | 6P
- ✓ **Accuracy class (IEEE)** : 0.15 | 0.3 | 0.6 | 1.2
- ✓ **Accuracy burden (IEC)** : up to 75VACL0.2-300VACL0.5-600VACL1
- ✓ **Accuracy burden (CSA/IEEE)** : up to 0.15WX-0.3WXYZ
- ✓ **Thermal burden** : up to 2000VA



DIMENSIONS



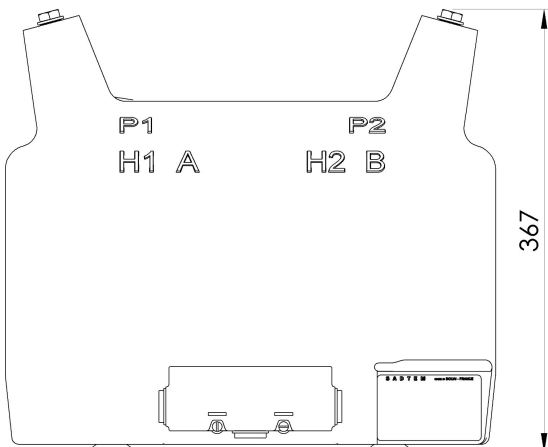
MECHANICAL FEATURES

- ✓ **Approximate weight** : 44kg
- ✓ **Cable outlet** : PG16
- ✓ **With sealable cover**



OPTIONS


- ✓ **Without cover**
- ✓ **H.V. fuse with holder**
- ✓ **Discharge reactor for capacitor bank (RV7S)**



Dimensions in mm

Information given for illustrative purposes. For any other features or need, contact us.

SADTEM

INSTRUMENT TRANSFORMERS
671, Rue Maurice Caullery - ZI Douai Dorignies - 59506 DOUAI cedex - France
Phone : (33) 03 59 61 15 60  www.sadtem.com  contact@sadtem.com