

OVF24

MEDIUM VOLTAGE OUTDOOR VOLTAGE TRANSFORMER



GENERAL FEATURES

Compact two HV poles dry insulated voltage transformer for outdoor application. Its cycloaliphatic resin body gives great mechanical and electrical performances.

- ✓ **Standard** : IEC 61869-3
- ✓ **Creepage** : 715mm
- ✓ **Flashover** : 300mm
- ✓ **Ambient temperature** : up to -40/+40°C

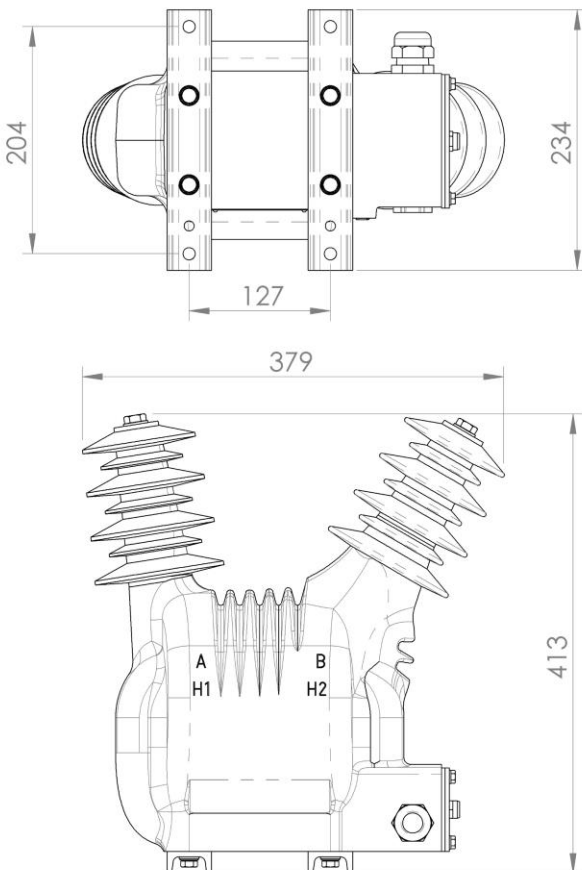


ELECTRICAL FEATURES

- ✓ **Insulation level** : up to 24/50/125kV
- ✓ **Frequency** : 50Hz | 60Hz
- ✓ **Primary voltage (Un)** : up to 24000V
- ✓ **Voltage factor** : up to 1.2Un Perm.
- ✓ **Accuracy class** : 0.2 | 0.5 | 1 | 3 | 3P | 6P
- ✓ **Accuracy burden** : up to 5VACL0.2-50VACL0.5-100VACL1
- ✓ **Thermal burden** : up to 400VA



DIMENSIONS



MECHANICAL FEATURES

- ✓ **Approximate weight** : 25kg
- ✓ **Cable outlet** : PG21 polyamide cable gland for \varnothing 10 to 18mm
- ✓ **Primary connection** : M10 screw



OPTIONS

- ✓ **Cable outlet** : PG21 nickel plated brass for \varnothing 13 to 19mm

Dimensions in mm

Information given for illustrative purposes. For any other feature or need, contact us.

SADTEM

INSTRUMENT TRANSFORMERS
671, Rue Maurice Caullery - ZI Douai Dorignies - 59506 DOUAI cedex - France
Phone : (33) 03 59 61 15 60  www.sadtem.com  contact@sadtem.com