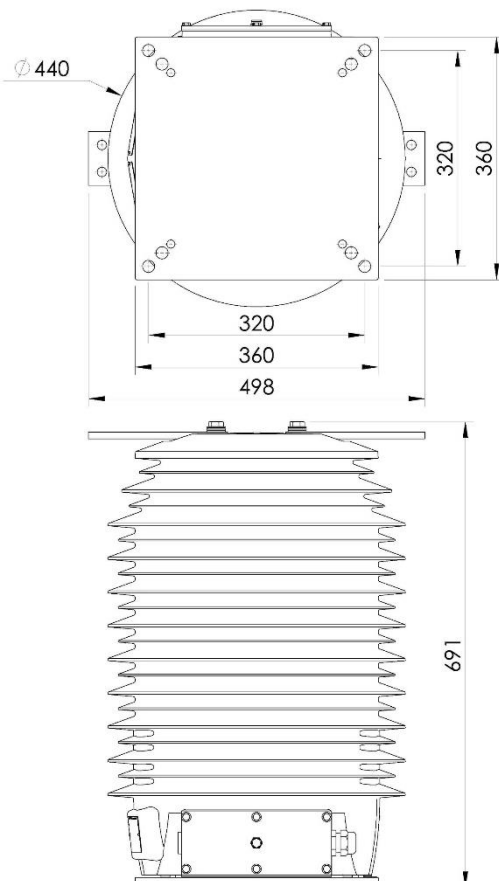


OKY52-4

OUTDOOR COMBINE CURRENT AND VOLTAGE TRANSFORMER



DIMENSIONS



Dimensions in mm

Information given for illustrative purposes. For any other features or need, contact us.



GENERAL FEATURES

Dry type measuring combine current and voltage transformer for outdoor application. Its aluminium baseplate and cycloaliphatic resin gives great mechanical and electrical performances in aggressive and polluted environments.

- ✓ **Standard** : IEC 61869-4 | CSA C61869-4 | IEEE C57-13
- ✓ **Creepage** : 1660mm
- ✓ **Flashover** : 585mm
- ✓ **Ambient temperature** : jusqu'à -50/+50°C



ELECTRICAL FEATURES

- ✓ **Insulation level** : up to 52/95/250kV
- ✓ **Fréquency** : 50Hz | 60Hz
- ✓ **Primary current (In)** : up to 3200A
- ✓ **Rated short-time thermal current (Ith)** : up to 60kA 1s
- ✓ **Rated dynamic current (Idyn)** : up to 2.5 * Ith
- ✓ **Double ratio CT** : by secondary tap or by primary coupling
- ✓ **Accuracy class CT (IEC)** : 0.1 | 0.2 | 0.2S | 0.5 | 0.5S | 1 | 3 | 5 | 5P | 10P | PX
- ✓ **Accuracy class CT (CSA)** : 0.15 | 0.15S | 0.3 | 0.6 | 1.2 | 2.5L.. | 10L..
- ✓ **Accuracy class CT (IEEE)** : 0.15 | 0.3 | 0.6 | 1.2 | C..
- ✓ **Primary voltage (Un)** : up to 52000/V3
- ✓ **Voltage factor** : 1.5 or 1.9Un | 30s or 8H
- ✓ **Accuracy class VT (IEC)** : 0.1 | 0.2 | 0.5 | 1 | 3 | 3P | 6P
- ✓ **Accuracy class VT (CSA)** : 0.15 | 0.3 | 0.6 | 1.2 | 3P | 6P
- ✓ **Accuracy class VT (IEEE)** : 0.15 | 0.3 | 0.6 | 1.2
- ✓ **Accuracy burden VT (IEC)** : up to 50VA CL0.2-200VA CL0.5-400VA CL1
- ✓ **Thermal burden** : up to 1000VA



MECHANICAL FEATURES

- ✓ **Approximate weight** : 190kg
- ✓ **Cable outlet** : PG21 polyamide cable gland for \varnothing 10 to 18mm
- ✓ **Primary connection** : to be defined according specification



OPTIONS

- ✓ **Cable outlet** : 1" NPT adaptator or PG21 nickel-plated brass cable gland for \varnothing 13 to 19mm cables