

OKY36-4 - 3PH

OUTDOOR COMBINE CURRENT AND VOLTAGE TRANSFORMER



GENERAL FEATURES

Dry type measuring combine current and voltage transformer for outdoor application including three current transformers and three phase to ground voltage transformers. Specially designed to achieve protection and revenue metering functions on tri-phases lines directly on poles, its conception bring great mechanical and electrical performances in aggressive and polluted environments.

- ✓ **Standard** : IEC 61869-4 | CSA C61869-4 | IEEE C57-13
- ✓ **Creepage** : 1400mm
- ✓ **Flashover** : 492mm
- ✓ **Ambient temperature** : up to -50/+50°C

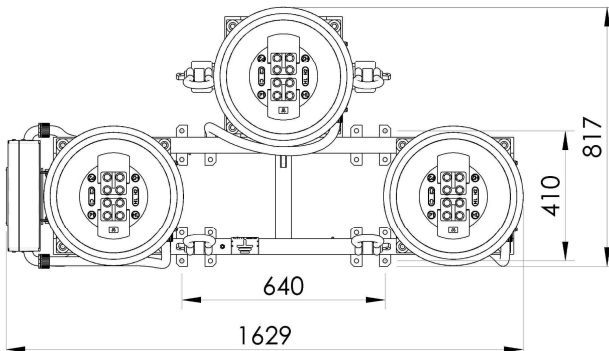
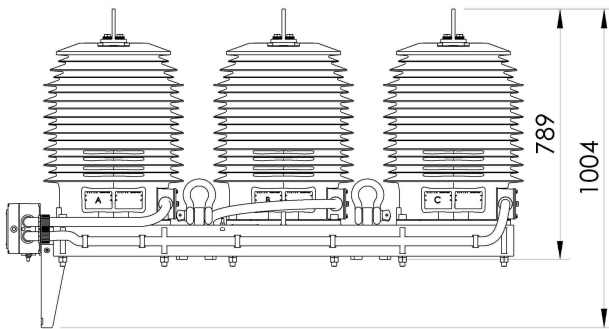


ELECTRICAL FEATURES

- ✓ **Insulation level** : up to 36/70/200kV
- ✓ **Fréquency** : 50Hz | 60Hz
- ✓ **Primary current (In)** : up to 3200A
- ✓ **Rated short-time thermal current (Ith)** : up to 60kA 1s
- ✓ **Rated dynamic current (Idyn)** : up to 2.5 * Ith
- ✓ **Double ratio CT** : by secondary tap or by primary coupling
- ✓ **Accuracy class CT (IEC)** : 0.1 | 0.2 | 0.2S | 0.5 | 0.5S | 1 | 3 | 5 | 5P | 10P | PX
- ✓ **Accuracy class CT (CSA)** : 0.15 | 0.15S | 0.3 | 0.6 | 1.2 | 2.5L.. | 10L..
- ✓ **Accuracy class CT (IEEE)** : 0.15 | 0.3 | 0.6 | 1.2 | C..
- ✓ **Primary voltage (Un)** : up to 36000/V3
- ✓ **Voltage factor** : 1.5 or 1.9Un | 30s or 8H
- ✓ **Accuracy class VT (IEC)** : 0.1 | 0.2 | 0.5 | 1 | 3 | 3P | 6P
- ✓ **Accuracy class VT (CSA)** : 0.15 | 0.3 | 0.6 | 1.2 | 3P | 6P
- ✓ **Accuracy class VT (IEEE)** : 0.15 | 0.3 | 0.6 | 1.2
- ✓ **Accuracy burden VT (IEC)** : up to 30VA CL0.2-150VA CL0.5-300VA CL1
- ✓ **Thermal burden** : up to 1000VA



DIMENSIONS



MECHANICAL FEATURES



- ✓ **Approximate weight** : 490kg
- ✓ **Cable outlet** : to be defined according specification
- ✓ **Primary connection** : to be defined according specification

Dimensions in mm

Information given for illustrative purposes. For any other features or need, contact us.

SADTEM

INSTRUMENT TRANSFORMERS

671, Rue Maurice Caullery - ZI Douai Dorignies – 59506 DOUAI cedex – France
Phone : (33) 03 59 61 15 60  www.sadtem.com  contact@sadtem.com