

LOC03/AE

MEDIUM VOLTAGE OUTDOOR ROLLING STOCK VOLTAGE TRANSFORMER



GENERAL FEATURES

Dry type outdoor voltage transformer specially designed and tested for railway rolling stock applications. Mounted on roof of locomotive or inside technical room and used for catenary voltage sensing, it is perfectly designed for specific electrical conditions, aggressive and polluted environment and shocks and vibrations according to IEC 61373.

- ✓ **Standard** : IEC 61869-3 | EN 50152-3-3
- ✓ **Creepage** : 1090mm
- ✓ **Flashover** : 445mm
- ✓ **Ambient temperature** : up to -50/+50°C

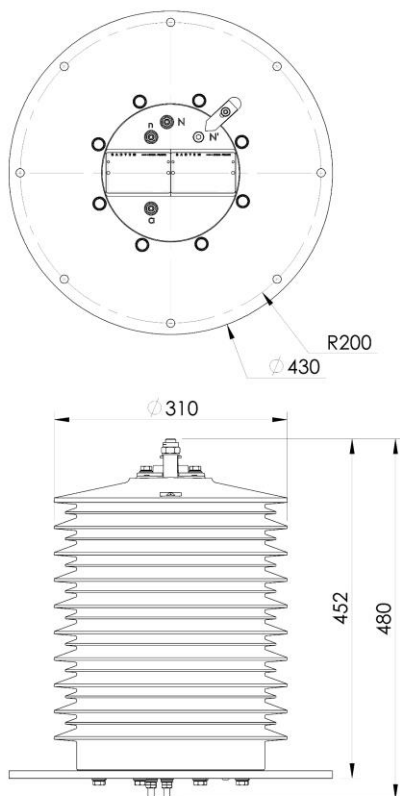


ELECTRICAL FEATURES

- ✓ **Insulated level** : up to 36/75/180kV
- ✓ **Frequency** : 16.67Hz | 50Hz | 60Hz
- ✓ **Primary voltage (Un)** : up to 25000V
- ✓ **Voltage factor** : 1.9Un 8H
- ✓ **Accuracy class** : 0.5 | 1 | 3 | 3P | 6P
- ✓ **Accuracy burden** : up to 20VACL0.5-40VACL1
- ✓ **Thermal burden** : up to 300VA



DIMENSIONS



MECHANICAL FEATURES

- ✓ **Approximate weight** : 61kg
- ✓ **Primary connection** : M14
- ✓ **Baseplate** : Passivated stainless steel



OPTIONS

- ✓ **Primary connection** : Other connections on request
- ✓ **Baseplate** : Other baseplates on request

Dimensions in mm

Information given for illustrative purposes. For any other feature or need, contact us.

SADTEM

INSTRUMENT TRANSFORMERS
671, Rue Maurice Caullery - ZI Douai Dorignies - 59506 DOUAI cedex - France
Phone : (33) 03 59 61 15 60  www.sadtem.com  contact@sadtem.com