

# KYE24 - 3PH

## INDOOR THREE-PHASE COMBINE CURRENT AND VOLTAGE TRANSFORMER



### GENERAL FEATURES

Dry type measuring combine current and voltage transformer for indoor application, completely earthed, including three current transformers and three phase to ground voltage transformers. Mounted in a cabinet, it can nevertheless be used outdoors.

- ✓ **Standard** : IEC 61869-4 | CSA C61869-4 | IEEE C57-13
- ✓ **Primary connection** : - Interface 3 or 11 according to IEEE 386  
- Interface C or D according to EN 50181
- ✓ **Ambient temperature** : up to -50/+50°C

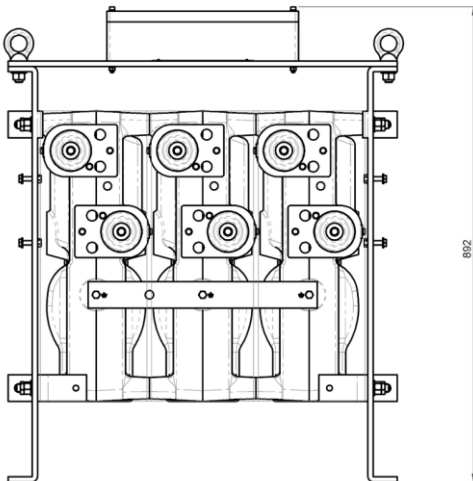
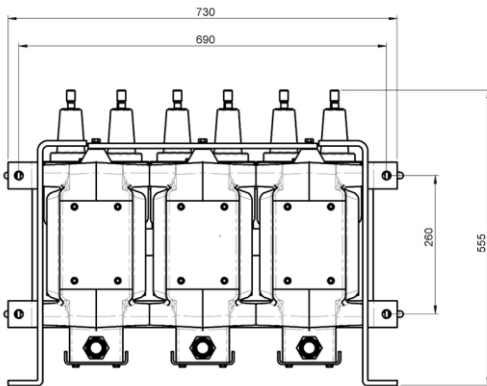


### ELECTRICAL FEATURES

- ✓ **Insulation level** : up to 25/50/150kV
- ✓ **Frequency** : 50Hz | 60Hz
- ✓ **Primary current (In)** : up to 900A
- ✓ **Rated short-time thermal current (Ith)** : up to 40kA 1s
- ✓ **Rated dynamic current (Idyn)** : up to 2.5 \* Ith
- ✓ **Double ratio CT** : by secondary tap
- ✓ **Accuracy class CT (IEC)** : 0.1 | 0.2 | 0.2S | 0.5 | 0.5S | 1 | 3 | 5 | 5P | 10P | PX
- ✓ **Accuracy class CT (CSA)** : 0.15 | 0.15S | 0.3 | 0.6 | 1.2 | 2.5L.. | 10L..
- ✓ **Accuracy class CT (IEEE)** : 0.15 | 0.3 | 0.6 | 1.2 | C..
- ✓ **Primary voltage (Un)** : up to 24000/V3
- ✓ **Voltage factor** : 1.5 or 1.9Un | 30s or 8H
- ✓ **Accuracy class VT (IEC)** : 0.1 | 0.2 | 0.5 | 1 | 3 | 3P | 6P
- ✓ **Accuracy class VT (CSA)** : 0.15 | 0.3 | 0.6 | 1.2 | 3P | 6P
- ✓ **Accuracy class VT (IEEE)** : 0.15 | 0.3 | 0.6 | 1.2
- ✓ **Accuracy burden VT (IEC)** : up to 30VA CL0.2-150VA CL0.5-400VA CL1
- ✓ **Thermal burden** : up to 750VA



### DIMENSIONS



Dimensions in mm

Information given for illustrative purposes. For any other features or need, contact us.



### MECHANICAL FEATURES

- ✓ **Approximate weight** : 257kg
- ✓ **Cable outlet** : PG21 polyamide cable gland for Ø 10 to 18mm



### OPTIONS

- ✓ **Cable outlet** : 1" NPT adaptor
- ✓ **Special coating for outdoor application (without cabinet)**