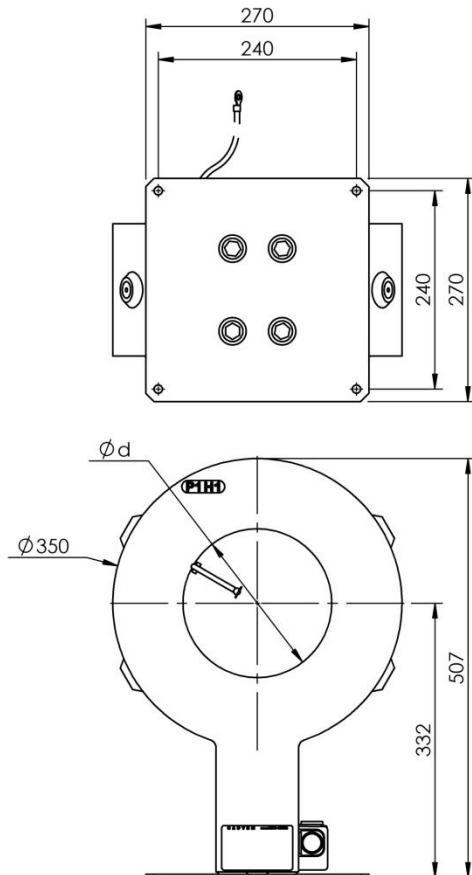


KTO6

MEDIUM VOLTAGE INDOOR CURRENT TRANSFORMER



DIMENSIONS



Dimensions in mm

Information given for illustrative purposes. For any other features or need, contact us.



GENERAL FEATURES

A medium voltage dry type current transformer for non isolated wires or bars passage.

- ✓ **Standard** : IEC 61869-2 | CSA C61869-2 | IEEE C57-13
- ✓ **Diameters available (ϕd)** : 117mm | 150mm | 180mm |
- ✓ **Ambient temperature** : up to $-25/+40^{\circ}\text{C}$
- ✓ **CSA qualified**: authorization LR 109295



ELECTRICAL FEATURES

- ✓ **Insulation level** : up to 24/50/125kV
- ✓ **Frequency** : 50Hz | 60Hz
- ✓ **Primary current (I_n)** : up to 6000A
- ✓ **Rated short-time thermal current (I_{th})** : up to $200 * I_n 1s$
- ✓ **Rated dynamic current (I_{dyn})** : up to $2.5 * I_{th}$
- ✓ **Number of cores** : 1 to 3
- ✓ **Double ratio** : by secondary tap
- ✓ **Accuracy class (IEC)** : 0.1 | 0.2 | 0.2S | 0.5 | 0.5S | 1 | 3 | 5 | 5P | 10P | 5PR | 10PR | PX
- ✓ **Accuracy class (CSA)** : 0.15 | 0.15S | 0.3 | 0.6 | 1.2 | 2.5L .. | 10L..
- ✓ **Accuracy class (IEEE)** : 0.15 | 0.3 | 0.6 | 1.2 | C..



MECHANICAL FEATURES

- ✓ **Approximate weight** : from 45 to 55kg
- ✓ **Potential lead to primary bars (voltage $\geq 12\text{kV}$)** : lug ϕ 6mm
- ✓ **With sealable cover**



OPTIONS

- ✓ **Without baseplate**
- ✓ **Without sealable cover**