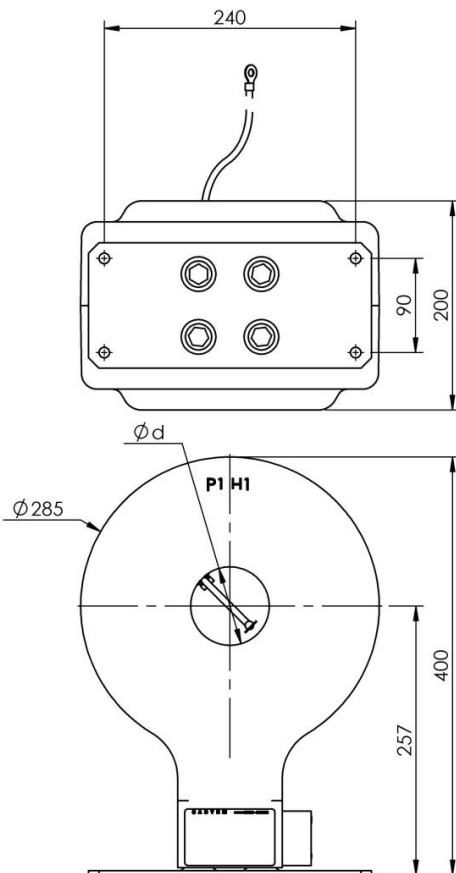


# KTO5-2

## MEDIUM VOLTAGE INDOOR CURRENT TRANSFORMER



### DIMENSIONS



Dimensions in mm

Information given for illustrative purposes. For any other features or need, contact us.



### GENERAL FEATURES

A medium voltage dry type current transformer for non isolated wires or bars passage.

- ✓ **Standard** : IEC 61869-2 | CSA C61869-2 | IEEE C57-13
- ✓ **Diameters available ( $\phi d$ )** : 75mm | 90mm | 120mm | 140mm | 150mm
- ✓ **Ambient temperature** : up to  $-25/+40^{\circ}\text{C}$
- ✓ **CSA qualified**: authorization LR 109295



### ELECTRICAL FEATURES

- ✓ **Insulation level** : up to 24/50/125kV
- ✓ **Frequency** : 50Hz | 60Hz
- ✓ **Primary current ( $I_n$ )** : up to 5000A
- ✓ **Rated short-time thermal current ( $I_{th}$ )** : up to  $200 * I_n 1s$
- ✓ **Rated dynamic current ( $I_{dyn}$ )** : up to  $2.5 * I_{th}$
- ✓ **Number of cores** : 1 to 3
- ✓ **Double ratio** : by secondary tap
- ✓ **Accuracy class (IEC)** : 0.1 | 0.2 | 0.2S | 0.5 | 0.5S | 1 | 3 | 5 | 5P | 10P | PX
- ✓ **Accuracy class (CSA)** : 0.15 | 0.15S | 0.3 | 0.6 | 1.2 | 2.5L .. | 10L..
- ✓ **Accuracy class (IEEE)** : 0.15 | 0.3 | 0.6 | 1.2 | C..



### MECHANICAL FEATURES

- ✓ **Approximate weight** : 27kg
- ✓ **Potential lead to primary bars (voltage  $\geq 12\text{kV}$ )** : lug  $\phi$  6mm
- ✓ **With sealable cover**



### OPTIONS

- ✓ **Without baseplate**
- ✓ **Without sealable cover**