

KTO3-2

MEDIUM VOLTAGE INDOOR CURRENT TRANSFORMER



GENERAL FEATURES

A medium voltage dry type current transformer for non isolated wires or bars passage.

- ✓ **Standard** : IEC 61869-2 | CSA C61869-2 | IEEE C57-13
- ✓ **Diameters available ($\varnothing d$)** : 50mm | 80mm
- ✓ **Ambient temperature** : up to $-25/+40^{\circ}\text{C}$

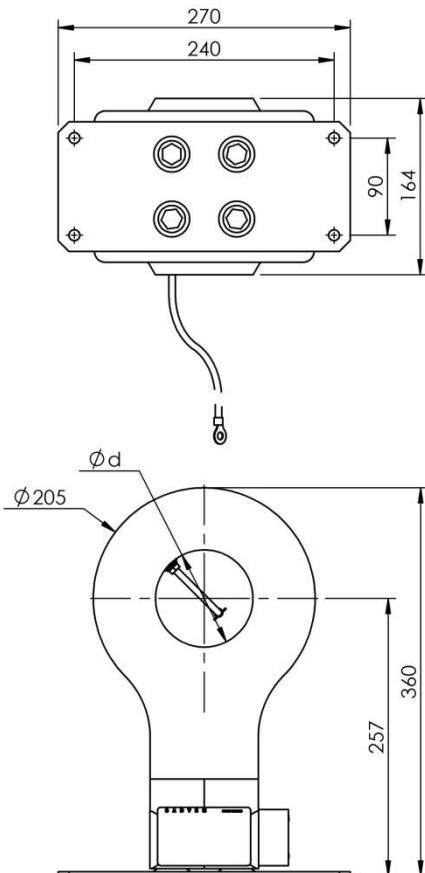


ELECTRICAL FEATURES

- ✓ **Insulation level** : up to 17.5/38/95kV
- ✓ **Frequency** : 50Hz | 60Hz
- ✓ **Primary current (I_n)** : up to 3000A
- ✓ **Rated short-time thermal current (I_{th})** : up to $200 * I_n 1s$
- ✓ **Rated dynamic current (I_{dyn})** : up to $2.5 * I_{th}$
- ✓ **Number of cores** : 1 to 2
- ✓ **Double ratio** : by secondary tap
- ✓ **Accuracy class (IEC)** : 0.1 | 0.2 | 0.2S | 0.5 | 0.5S | 1 | 3 | 5 | 5P | 10P | PX
- ✓ **Accuracy class (CSA)** : 0.15 | 0.15S | 0.3 | 0.6 | 1.2 | 2.5L .. | 10L..
- ✓ **Accuracy class (IEEE)** : 0.15 | 0.3 | 0.6 | 1.2 | C..



DIMENSIONS



MECHANICAL FEATURES

- ✓ **Approximate weight** : 13kg
- ✓ **Potential lead to primary bars (voltage $\geq 12\text{kV}$)** : lug $\varnothing 6\text{mm}$
- ✓ **With sealable cover**




OPTIONS

- ✓ **Without baseplate**
- ✓ **Without sealable cover**

Dimensions in mm

Information given for illustrative purposes. For any other features or need, contact us.

SADTEM

INSTRUMENT TRANSFORMERS
671, Rue Maurice Caullery - ZI Douai Dorignies - 59506 DOUAI cedex - France
Phone : (33) 03 59 61 15 60  www.sadtem.com  contact@sadtem.com