

# BBY2

## MEDIUM VOLTAGE OUTDOOR VOLTAGE TRANSFORMER



### GENERAL FEATURES

One HV pole voltage transformer, dry insulated and completely earthed for outdoor application. Its aluminium case brings a high mechanical resistance. Its silicone molded insulator with large creepage distance gives perfect insulating properties in aggressive and polluted environments.

- ✓ **Standard** : IEC 61869-3 | CSA C61869-3 | IEEE C57-13 | EN 50152-3-3
- ✓ **Creepage** : 1660mm
- ✓ **Flashover** : 429mm
- ✓ **Ambient temperature** : up to -50/+50°C

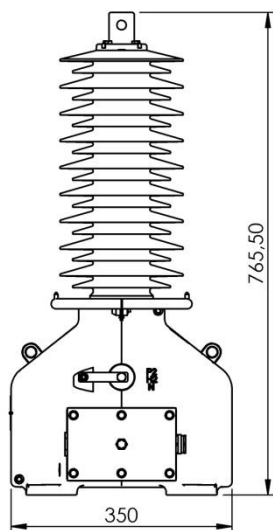
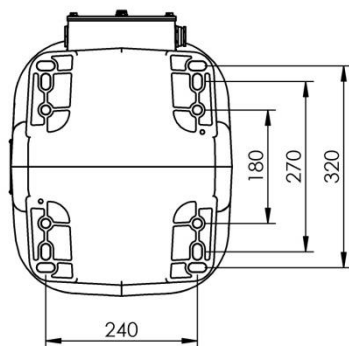


### ELECTRICAL FEATURES

- ✓ **Insulation level** : up to 52/95/250kV
- ✓ **Frequency** : 16.67Hz | 25Hz | 50Hz | 60Hz
- ✓ **Primary voltage (Un)** : up to 52000/ $\sqrt{3}$ V
- ✓ **Voltage factor** : 1.5 or 1.9Un | 30s or 8H
- ✓ **Accuracy class (IEC)** : 0.1 | 0.2 | 0.5 | 1 | 3 | 3P | 6P
- ✓ **Accuracy class (CSA)** : 0.15 | 0.3 | 0.6 | 1.2 | 3P | 6P
- ✓ **Accuracy class (IEEE)** : 0.15 | 0.3 | 0.6 | 1.2
- ✓ **Accuracy burden (IEC)** : up to 50VACL0.2-200VACL0.5-500VACL1
- ✓ **Accuracy burden (CSA/IEEE)** : up to 0.3WXY-0.6WXYZ
- ✓ **Residual winding** : on request
- ✓ **Thermal burden** : up to 1000VA



### DIMENSIONS



### MECHANICAL FEATURES

- ✓ **Approximate weight** : 55kg
- ✓ **Cable outlet** : PG21 nickel plated brass for  $\varnothing$  13 à 19mm
- ✓ **Primary connection** : Aluminium 1 hole  $\varnothing$  14mm



### OPTIONS

- ✓ **Cable outlet** : 1" NPT adaptor
- ✓ **Secondary fuse** : 1A | 4A
- ✓ **Primary connection** : NEMA pad or other connections on request

Dimensions in mm

Information given for illustrative purposes. For any other feature or need, contact us.

**SADTEM**

INSTRUMENT TRANSFORMERS  
671, Rue Maurice Caullery - ZI Douai Dorignies - 59506 DOUAI cedex - France  
Phone : (33) 03 59 61 15 60  [www.sadtem.com](http://www.sadtem.com)  [contact@sadtem.com](mailto:contact@sadtem.com)