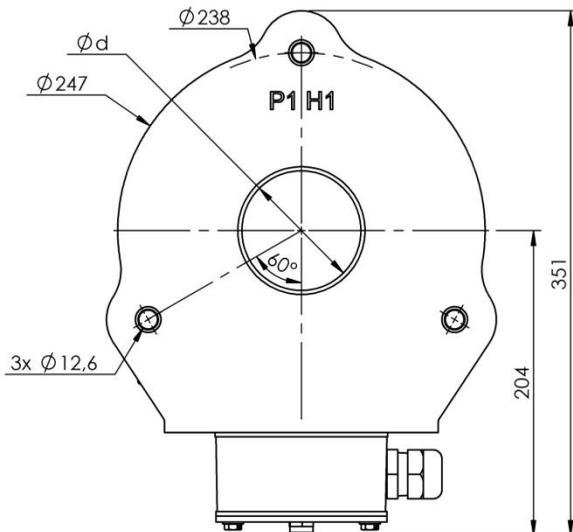
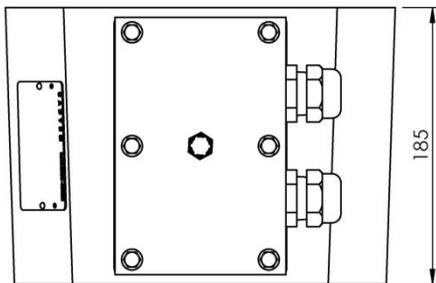


# B03

## LOW VOLTAGE OUTDOOR CURRENT TRANSFORMER



### DIMENSIONS



Dimensions in mm

Information given for illustrative purposes. For any other feature or need, contact us.



### GENERAL FEATURES

Low voltage dry type current transformer for wires or bars passage, often used for earth fault currents in power transformers.

- ✓ **Standard** : IEC61869-2 | CSA C61869-2 | IEEE C57-13
- ✓ **Available diameters ( $\varnothing d$ )** : 50mm | 80mm | 90mm | 105mm | 125mm
- ✓ **Ambient temperature** : up to  $-25/+40^{\circ}\text{C}$



### ELECTRICAL FEATURES

- ✓ **Insulation level** : up to 1.2/6kV
- ✓ **Frequency** : 50Hz | 60Hz
- ✓ **Primary current ( $I_n$ )** : up to 3000A
- ✓ **Rated short-time thermal current ( $I_{th}$ )** : up to  $200 * I_n 1s$
- ✓ **Rated dynamic current ( $I_{dyn}$ )** : up to  $2.5 * I_{th}$
- ✓ **Number of cores** : 1 to 3
- ✓ **Double ratio** : by secondary tap
- ✓ **Accuracy class (IEC)** : 0.1 | 0.2 | 0.2S | 0.5 | 0.5S | 1 | 3 | 5 | 5P | 10P | 5PR | 10PR | PX
- ✓ **Accuracy class (CSA)** : 0.15 | 0.15S | 0.3 | 0.6 | 1.2 | 2.5L .. | 10L..
- ✓ **Accuracy class (IEEE)** : 0.15 | 0.3 | 0.6 | 1.2 | C..



### MECHANICAL FEATURES

- ✓ **Approximate weight** : from 20 to 45kg
- ✓ **Cable outlet** : PG 21 polyamide cable gland for  $\varnothing 10$  to 18mm



### OPTIONS

- ✓ **Cable outlet** : 1" NPT adaptor or PG21 nickel-plated brass cable gland for  $\varnothing 13$  to 19mm cables
- ✓ **Mounting square brackets**
- ✓ **External ground connection terminal**