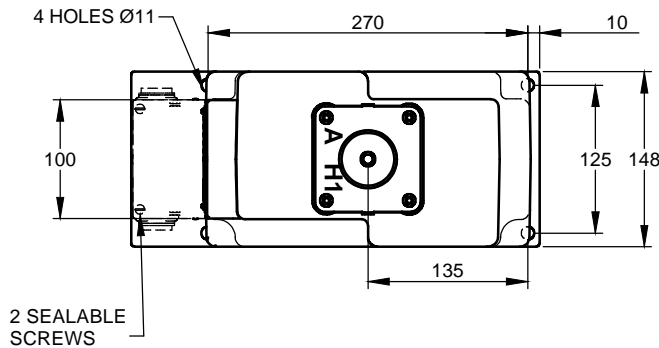
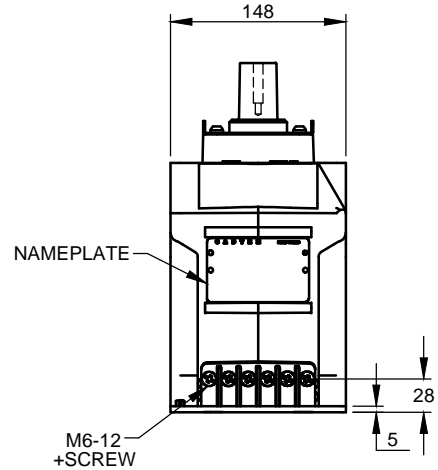
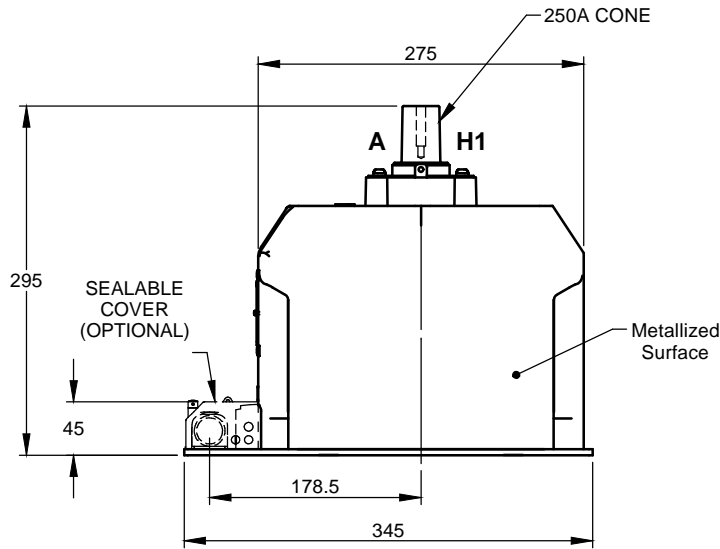


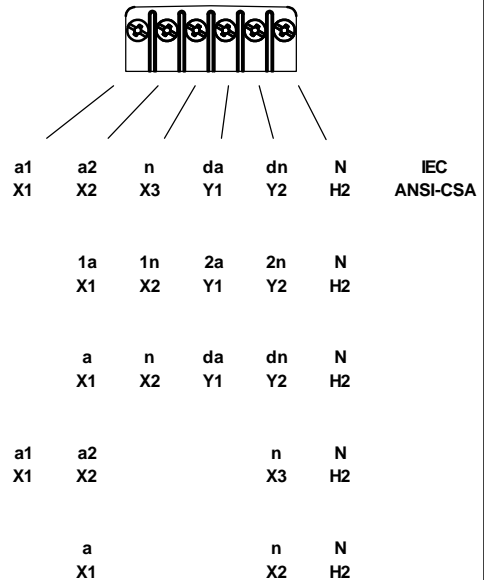
INDOOR VOLTAGE TRANSFORMER

TYPE : Y12G-C1

STANDARD : IEC - BS - ANSI - CSA
 INSULATION LEVEL : up to 24/50/125kV
 1 H.V. Bushing
 with 250A CONE (DIN ATL 24-250)



SECONDARY TERMINALS



RATED TIGHTENING TORQUE (±5%)
 Secondary terminals (M6) : 3N.m

Approx. Weight : 22kg

This document is the property of SADTEM and may be changed without prior notice

Créat. : 01.02.2006



BP 655
 59506 DOUAI CEDEX
 FRANCE

F

Rév. : 17.06.2008

INSTRUMENT TRANSFORMERS

N°2-38511