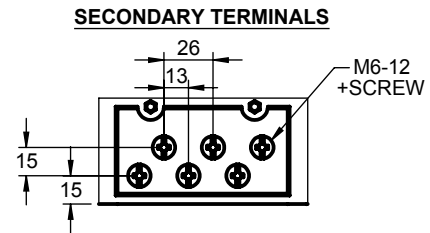
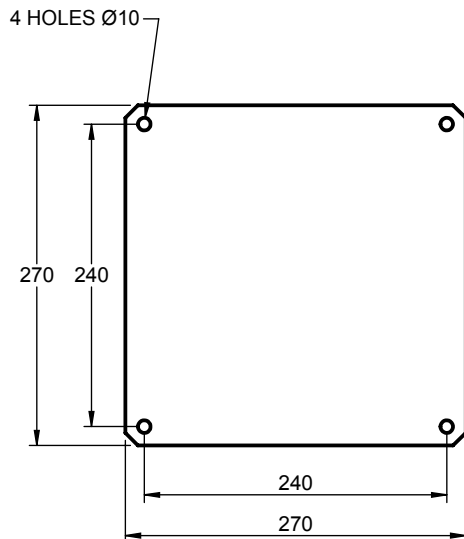
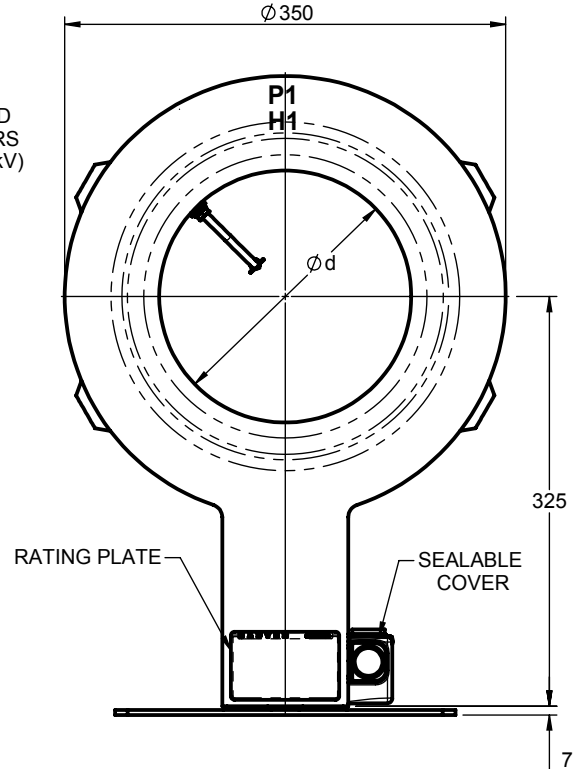
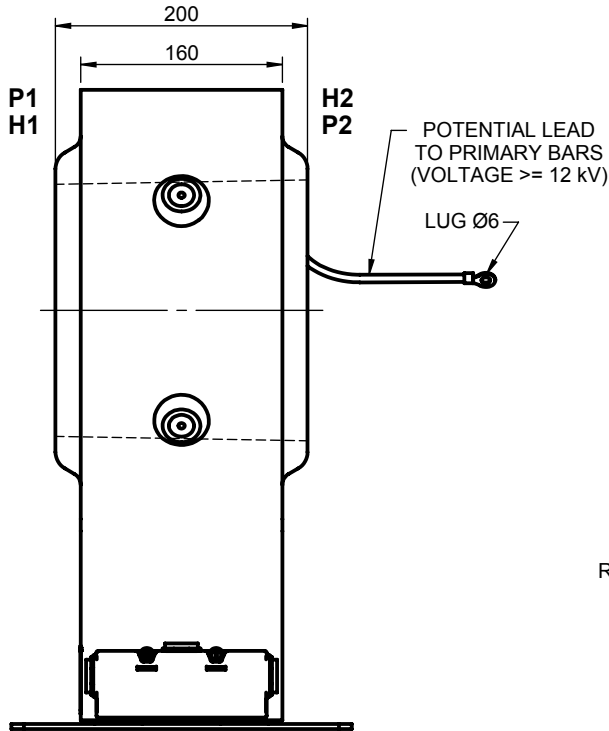


INDOOR CURRENT TRANSFORMER

STANDARD : IEC - ANSI - CSA
 INSULATION LEVEL : up to 24/50/125kV
 PRIMARY CURRENT : up to 6000A
 1 to 3 secondary cores

TYPE : KTO6

With baseplate and secondary cover



IEC			ANSI-CSA		
1S1	2S1	3S1	X1	X2	X3
+	+	+	+	+	+
1S2	2S2	3S2	X4	X5	
+	+	+	+	+	

RATED TIGHTENING TORQUE (±5%)
 Secondary terminals (M6) : 7 N.m

DIA d available : 117 - 150 - 180

Approx. Weight : 45 to 55 Kg

This document is the property of SADTEM and may be changed without prior notice

Créat. : 02.07.2012



BP 655
59506 DOUAI CEDEX
FRANCE

B

Rév. : 13.10.2014

INSTRUMENT TRANSFORMERS

N°2-43152