

INDOOR CURRENT TRANSFORMER

TYPE : KTO5-2

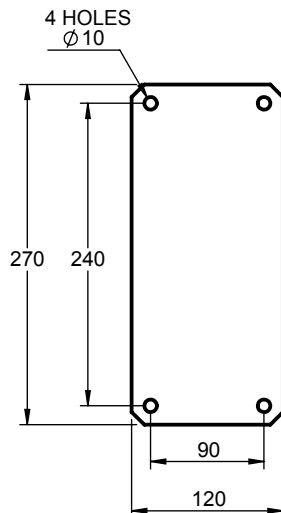
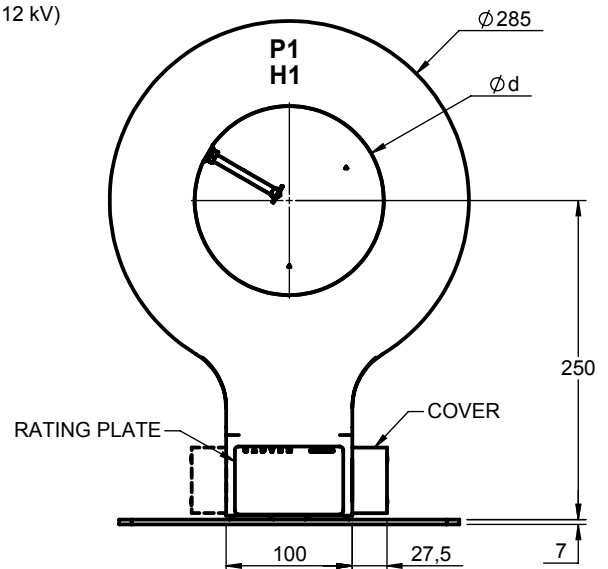
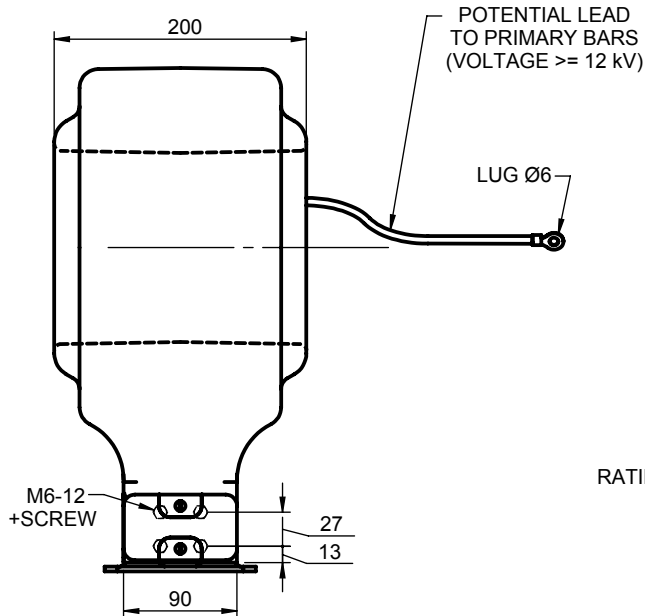
With baseplate and secondary cover

STANDARD : IEC - ANSI - CSA

INSULATION LEVEL : up to 24/50/125kV

PRIMARY CURRENT : up to 5000A permanent

1 to 3 secondary cores



SECONDARY TERMINALS

IEC		ANSI - CSA	
1S1 +	1S3 +	X1 +	X3 +
1S2 +	+	X2 +	+

2S1 +	2S3 +	Y1 +	Y3 +
2S2 +	+	Y2 +	+

ON THE
OPPOSITE SIDE
WHEN REQUIRED

RATED TIGHTENING TORQUE ($\pm 5\%$)

Secondary terminals (M6) : 7 N.m

DIA. d available : 75 - 90 - 120 - 140 - 150

Approx. Weight : 27 Kg

This document is the property of SADTEM and may be changed without prior notice

Créat. : 03.07.2012

SADTEM

BP 655
59506 DOUAI CEDEX
FRANCE

B

Rév. : 13.10.2014

INSTRUMENT TRANSFORMERS

N°2-43157